

Durable Corporation  
(800) 537-1603

Model: B4512-123-A3

MODEL: B4512-123-A3

Size

Projection 4-1/2"

Height 12"

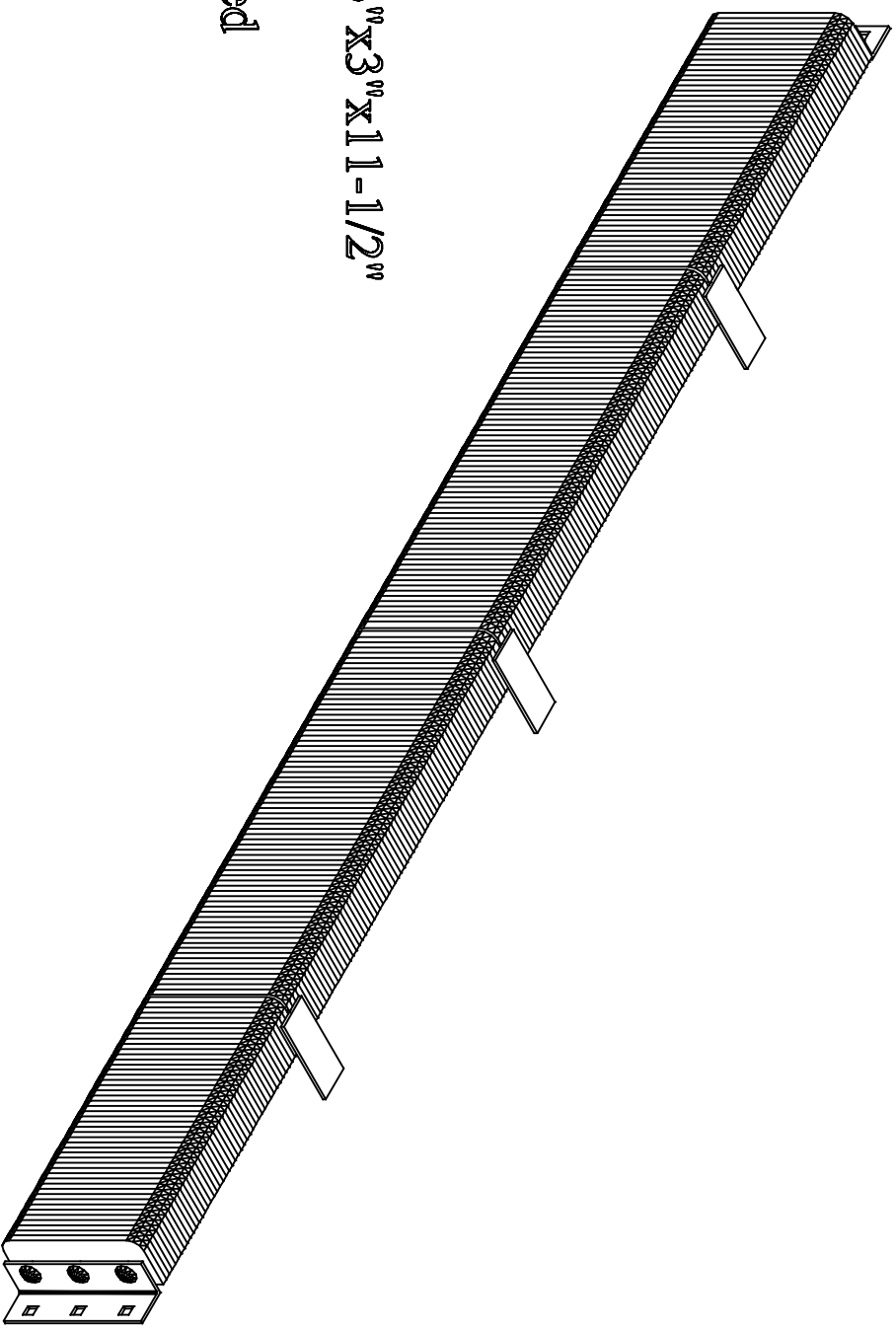
Length:

-Overall 125"

-Anchor Holes 123"

-Rubber 119"

Angle Size 1/4" x 3" x 3" x 1-1/2"



Bolt Heads Are Inscribed  
"DURABLE CORP"

Date: 11/02/15

All measurements are +/- 1/8"

Confidential -- Property of Durable Corporation